



JOB NAME _____

CONTACT _____

ORDERING CODE _____

ARIA Canopy, Track SW



982 blue



980 clear 981 amber 983 green 984 merlot

DESCRIPTION
 Bruck's European and American Artisan, mouth-blown glass is known throughout the world for its quality and beauty. Offered with cutting edge LED technology along with several mounting options, colors and finishes allow for a unique design. Most of Bruck's mini-pendant glass allows for easy screw-on/screw-off for a simple installation or design change. Pendant L70 is 145,000 hours of operation.

HOUSING
 The hardware is offered in matte chrome, bronze or chrome finish and seconds as the pendant thermal heatsink.

MOUNTING

- The pendant can be mounted from Bruck's field adjustable canopy. The standard overall cable length of 59" can be field-cut or specified when ordering. Overall cable length is measured and begins from top of canopy. See the decorative Junction Box Cover for open ceiling applications.
- Optional track mounting: Global Trac Systems, GEO track, ECO track / Halo® Power track, and Zonyx track. Overall cable length begins at the shoulder of the ECO/GEO adapter and the track center of the Zonyx adapter. Cable length measurement ends at the top of glass or to the mounting arms.
- Kevlar coated cable for easy cleaning, short circuit protection, no discoloration and fraying over time.

LISTINGS

- Listed to UL1598 and UL1574 (Suitable for dry locations only)
- Listed to CSA C22.2 #250.0 and #9.0

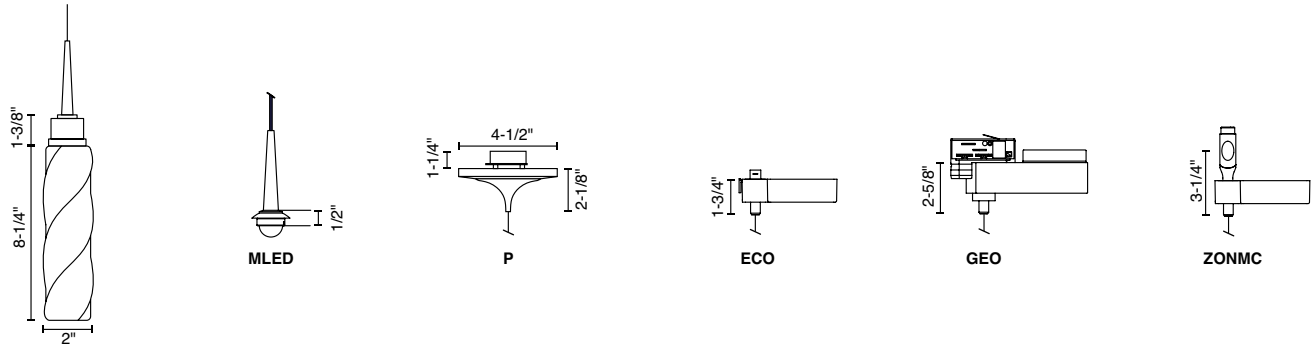
| ORDERING CODE | | |
|------------------|---|---|
| LIGHT SOURCE | MLED ¹ | Static White LED, 450lm |
| CCT | 30K 35K | 3000K 3500K |
| CRI | 90 | 90 CRI |
| SHADE COLOR | 980 981 982 983 984 | clear amber blue green merlot |
| FINISH | MC ³ CH ³ BZ ³ | matte chrome with clear braided cable chrome with clear braided cable bronze with brown braided cable |
| MOUNTING OPTIONS | P ² ECOBK ECOWH ECOMC GEOBK GEOWH GEOHC ZONMC | canopy pendant ECO/HALO black ECO/HALO white ECO/HALO matte chrome GEO black GEO white GEO matte chrome zonyx matte chrome |

ORDERING CODE _____

Follow the steps to specify your fixture, example:
MLED - 30K - 90 - 980 - MC - P

NOTES
 1. For LED info see page 2.
 2. Canopy matches the finish chosen.
 3. Cable info: 22ga Type SVT Cable. 0.120" outer diameter. Rated to 300V & 105°C.

MOUNTING OPTIONS



Dimensions may vary slightly.

LIGHT SOURCE

| Light Source | MLED - Static White LED |
|------------------------|--|
| Performance | |
| LED | Cree XHP50 |
| Lumens | 450lm |
| CCT | 3000K or 3500K |
| SDCM | 2-Step MacAdam Ellipse |
| CRI | >90 |
| Lumen Maintenance | L ₇₀ > 145,000 hours |
| Technical Specs | |
| Socket Listing | <ul style="list-style-type: none"> • Integrated LED module • ETLus Listed to UL1598, and UL1574 (Suitable for dry locations only) • cETL Listed to CSA C22.2 #250.0 and #9.0 |
| Mounting | |
| Canopy | <ul style="list-style-type: none"> • 120-277Vac, 50/60Hz input • 7.0W, 7.5VA • Tri-mode dimming (Triac, ELV and 0-10V) • Mount to 3-1/2" to 4" round J-Box • Short circuit protection • Thermal protection |
| Line Voltage Track | <ul style="list-style-type: none"> • 120Vac, 50/60Hz input • 7.0W, 7.5VA • Triac and ELV phase dimming • Connects to line voltage adapter (ECO, GEO, Zonyx) |
| Warranty | |
| | <ul style="list-style-type: none"> • 5 year limited fixture warranty |